

# ACCIAIO<sup>®</sup> SE EMERGENCY

TITLE  
20



Job/Location: \_\_\_\_\_  
 Contractor: \_\_\_\_\_  
 Prepared By: \_\_\_\_\_

Job Type: \_\_\_\_\_  
 Date: \_\_\_\_\_

Die-Cast Aluminum Endcaps

24-GA Steel Housing



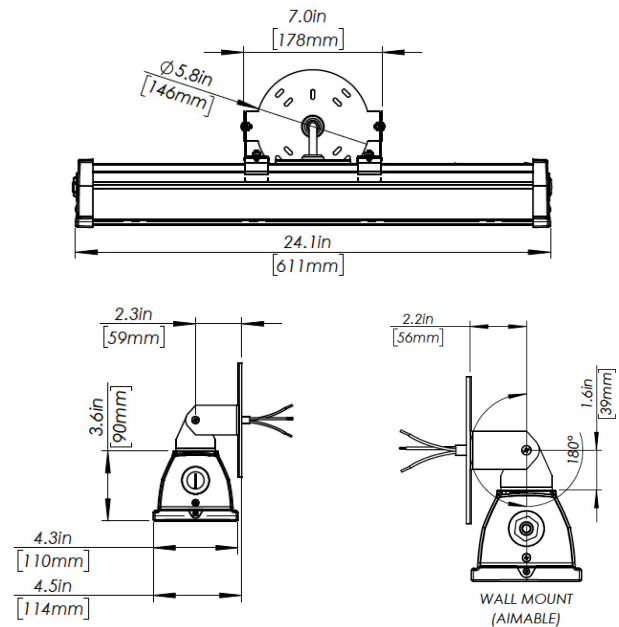
## internal

The ACCIAIO<sup>®</sup> SE is a high output emergency solution that provides up to 1700 lumens. Configured with a three-wire 120-277V 50/60Hz input. Solid state microprocessor controlled circuitry includes line latch, brownout protection, battery and charge monitoring. The 9.6V, 16W, 3000mAh battery supplies 10 watts of emergency output for a minimum 90 minutes.

## external

The ACCIAIO<sup>®</sup> SE is NEMA 4X rated and designed to perform in wet and dust-filled environments. The 24 gauge steel housing is powder coated (RAL7040) zinc enriched polyester gray or (RAL9003) white. The 4mm polycarbonate frosted diffuser features a pressed silicone gasket that is integrated into the housing for optimal ingress protection. Die cast aluminum end caps are color matched and fully gasketed. 180 degree adjustable mount allows precise positioning. External test switch and monitor LED provide instant unit status.

## dimensions



## ordering logic

EXAMPLE: BX910LED-2-SE-WT40-120-277V

Series	Operation	Color Temp	Voltage	Options
BX910LED-2	SE (Emergency - AC fail only)	WT40 (4000K)	120-277V	AT (autotest) BAA (made in America) PGL (prismatic tempered glass lens) WHT <sup>1</sup> (white finish) WG (wire guard)

NOTE 1: Standard unit in gray finish.

NOTE: Standard mounting surface / wall direct to j-box.

## ■ electrical

**BATTERY:** The ACCIAIO® SE comes standard with a 9.6V, 16W, 3000mAh Ni-MH battery pack that provides a minimum of 90 minutes emergency duration. 10W power delivery after stabilization time of seven minutes. The maximum battery operating temperature is +95°F (+35°C) and the minimum is +32°F (+0°C).

**CHARGER:** The ACCIAIO® SE utilizes a high-efficiency two stage charger providing precise float voltage control with low voltage disconnect protection. Program controlled trickle charge current is provided by the charging unit in order to maintain the optimum performance of the Ni-MH battery. All components used in the circuitry are temperature compensated. The charger also has brownout and short circuit protection. An external push button test switch and indicator allows maintenance personnel to quickly activate any manual tests on the fixture.

## ■ led technology

The ACCIAIO® SE is illuminated with a mid-power 4000K board with an output efficacy of 173 lm/W. A high-efficiency LED emergency driver is used to maintain a constant output current to all LEDs. The ACCIAIO SE delivers 1729 lumens.

## ■ installation

The ACCIAIO® SE is suitable for surface wall or ceiling mounting direct to a junction box ( provided by others).

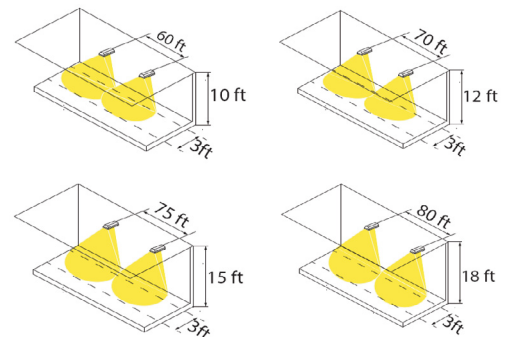
## ■ fcc

This device complies with part 15 of the FCC Rules. Operation is subject to the following two conditions: (1) This device may not cause harmful interference, and (2) this device must accept any interference received, including interference that may cause undesired operation.

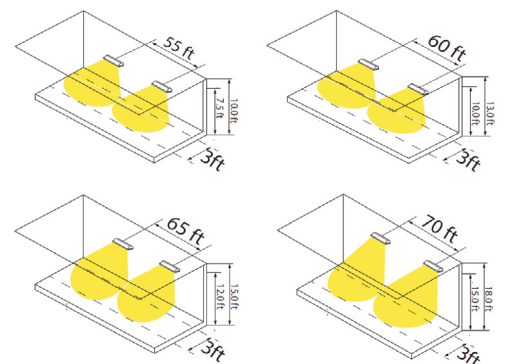
## ■ warranty

The ACCIAIO® SE comes with a 3-year factory warranty. Deliberate damage, misuse, improper installation effectively cancel the warranty. Find complete warranty details on-line at [beghelliusa.com](http://beghelliusa.com).

BX910LED2SE (CEILING MOUNT) - SPACING									
MOUNTING MEAN	MOUNTING HEIGHT (ft)	SPACING (ft)							
		60		70		75		80	
		ILLUMINANCE (fc)							
		AVE	MIN	AVE	MIN	AVE	MIN	AVE	MIN
CEILING (Orientation = 0°)	10	2.4	0.2						
	12			1.8	0.1				
	15					1.3	0.1		
	18							1.1	0.1



BX910LED2SE (WALL MOUNT) - SPACING											
MOUNTING MEAN	MOUNTING HEIGHT (ft)	SPACING (ft)									
		55			60		65		70		75
		ILLUMINANCE (fc)									
		AVE	MIN	AVE	MIN	AVE	MIN	AVE	MIN	AVE	MIN
WALL (Tilt angle = 10°)	7.5	2.6	0.2								
	10			2.0	0.2						
	12					1.6	0.2				
	15							1.3	0.2		
	18									1.0	0.1



For all cases - max/min < 40