

BX910LED-ECO-AMBER

- The **BX910LED-ECO-A** is a fully shielded luminaire that is FWC approved.
- The **BX910LED-ECO-A** luminaire has a wavelength of 590 nanometers.
- The **BX910LED-ECO-A** is an energy saving and wildlife-friendly lighting ideal for areas where excessive artificial lighting can disturb ecosystems, such as coastal areas.
- **DIFFUSER:** 3mm tempered glass diffuser with micro-prismatic light distribution.
- **OPERATING TEMP:**
 HT (AC Only) -40°F to 104°F (-40°C to 40°C)
 SA (AC & Emergency) 95°F (35°C)
- **WEIGHT:** 9 lbs. / 4.08 kg.



APPLICATION: The **ACCIAIO** [®] **LED ECO AMBER** is for applications along coastal areas such as parking garages, balconies and breezeways.

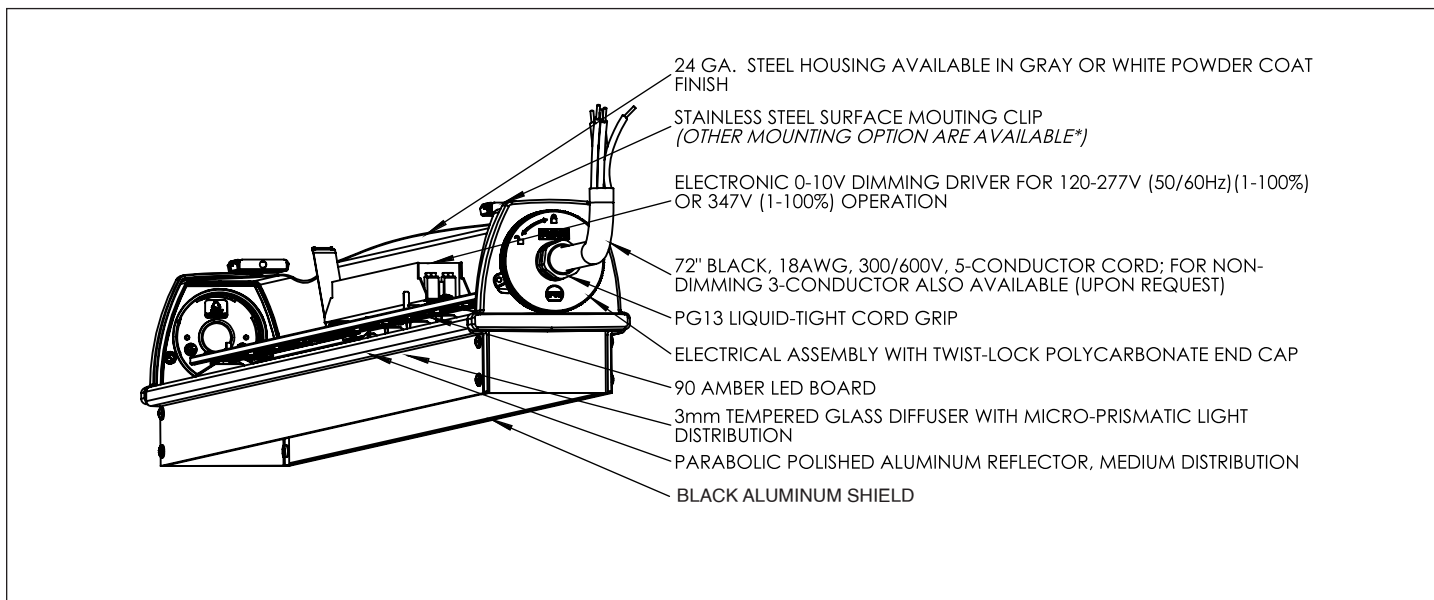
CONFIGURATIONS

MODEL	LENGTH	OPERATION	INPUT	MOUNTING	OPTIONS
BX910LED-ECO-A	4 (ft)	HT (AC only) SA (AC & EM)	120-277V 347V	AC ¹ (aviation cable) CH (chain hang kit) DPK ³ (double pendant kit) PM ⁴ (pivot mount)	FP (fuse protection - 3A) LOG ⁵ (LOGICA) IOSL ⁵ (internal occupancy sensor - LOGICA) EOSL ⁵ (external occupancy sensor - LOGICA) SP (surge protection - 10KA) W (white housing), Black Shield D (dali)

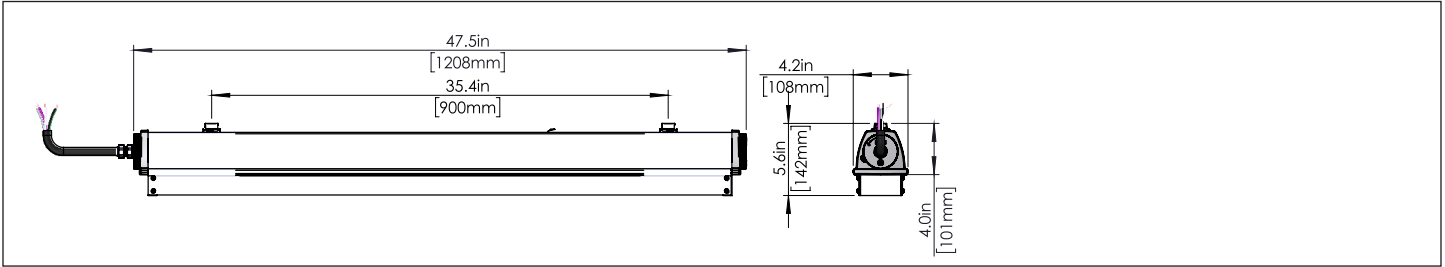
NOTE 1: Specify length for AC: 50", 72", 100", 150", 250" fully adjustable. J-box by others.
 NOTE 2: Typ. 12", 24", 36", 48", other specify. J-box by others.
 NOTE 3: Stem lengths are typ. 12" 24", 48", other specify.

NOTE 4: 45° at increment of 15°. Hardware by others.
 NOTE 5: Logica (Beghelli wireless and powerless control solutions). Contact factory for more details.

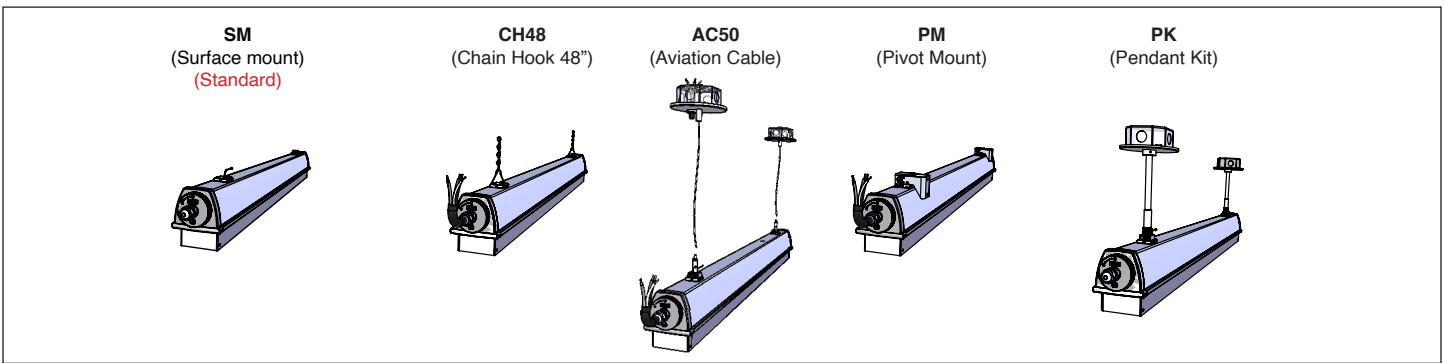
TECHNICAL INFORMATION



DIMENSIONS



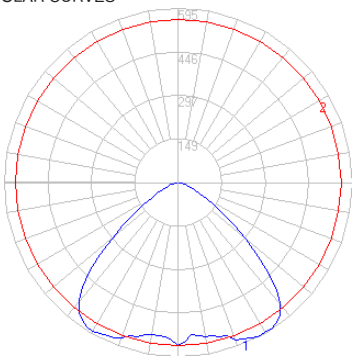
MOUNTING



PHOTOMETRICS

BX910LED-ECO-A-4HT120-277V

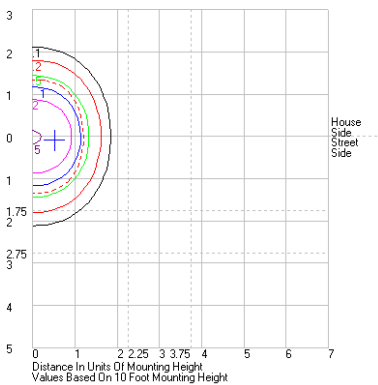
POLAR CURVES



Characteristics

Electronic driver	
LED 4000°K	
Lumens Per Lamp	N.A. (absolute)
Total Lamp Lumens	N.A. (absolute)
Luminaire Lumens	1491
Total Luminaire Efficiency	N.A.
Luminaire Efficacy Rating (LER)	50
Total Luminaire Watts	30
Ballast Factor	1.00
CIE Type	Direct
Spacing Criterion (0-180)	1.40
Spacing Criterion (90-270)	1.56
Spacing Criterion (Diagonal)	1.50

ISOLINES



Zonal Lumen Summary

Zone	Lumens	%Lamp	%Fixt
0-20	202.77	N.A.	13.60
0-30	460.07	N.A.	30.90
0-40	798.48	N.A.	53.60
0-60	1350.86	N.A.	90.60
0-80	1482.57	N.A.	99.40
0-90	1491.03	N.A.	100.00
10-90	1440.05	N.A.	96.60
20-40	595.70	N.A.	40.00
20-50	931.62	N.A.	62.50
40-70	648.71	N.A.	43.50
60-80	131.71	N.A.	8.80
70-80	35.38	N.A.	2.40
80-90	8.46	N.A.	0.60
90-110	0.01	N.A.	0.00
90-120	0.01	N.A.	0.00
90-130	0.01	N.A.	0.00
90-150	0.01	N.A.	0.00
90-180	0.01	N.A.	0.00
110-180	0.00	N.A.	0.00
0-180	1491.04	N.A.	100.00

Total Luminaire Efficiency = N.A. %

BX910LED-ECO-AMBER

ADDITIONAL INFORMATION

ENERGY CHART

MODEL	LENGTH	EFFICACY	CONSUMPTION WATTAGE	LUMEN OUTPUT
BX910LED-ECO-A-4HT-120-277V	4 ft	50 lm/W	30	1491

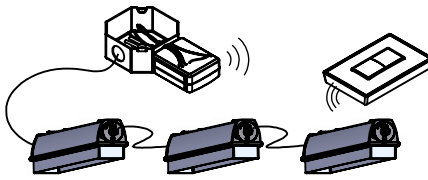


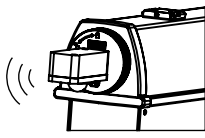

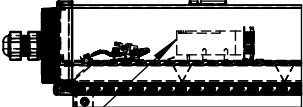


ELECTRICAL RATING

PRODUCT	NOMINAL POWER (W)	AC CURRENT (A)		FREQUENCY (HZ)	DC VOLTAGE (V)	DC CURRENT (MA)
		120V	277V			
BX910LED-ECO-A	30	0.26	0.11	50/60	30	900

DIMMER COMPATIBILITY

DIMMER	COMPATIBILITY	
	ON / OFF	DIMMING
LEVITON - AWRMG - 7	YES	YES
LUTRON - DIVA - DVSTV	YES	YES
LUTRON - DIVE - DVTV	YES	YES
WATT STOPPER DCLV1	YES	YES

LOGICA (WIRELESS & POWERLESS LIGHTING CONTROL SOLUTIONS)

DAISY CHAIN FIXTURES (RLYL)			EXTERNAL NODE (EOSL) (WET LOCATION)		
<p>LOG-RLY WIRELESS RELAY (DAMP LOCATION)</p> 	<p>LOG-ESRP SWITCH (ACCESSORY) (DAMP LOCATION)</p> 	<p>LOG-ML2 REMOTE SENSOR (ACCESSORY) (DAMP LOCATION)</p> 	<p>LOG-HBKO10V / HBKOD NODE & SENSOR (0-10V OR DALI)</p>  <p>(EXTERNAL KNOCKOUT)</p>	<p>LOG-ESRP SWITCH (ACCESSORY) (DAMP LOCATION)</p> 	
<p>FOR DETAILS PLEASE SEE LIGHTING CONTROL SOLUTION CONFIGURATION.</p>			<p>INTEGRATED NODE (NODL)</p>		
			<p>LOG-10V12 / DRD WIRELESS NODE (0-10V OR DALI)</p>  <p>NODE (INTEGRATED)</p>	<p>LOG-ESRP SWITCH (ACCESSORY) (DRY LOCATION)</p> 	<p>LOG-ML2 REMOTE SENSOR (ACCESSORY) (DRY LOCATION)</p> 

■ **WARRANTY:** 5 year warranty, see website for full warranty details.