

Type: \_\_\_\_\_

Project: \_\_\_\_\_

# PLANEX® (PNL1X4)



## FLAT PANEL LED - 1x4 SELECTABLE LUMENS & CCT

- Field selectable CCTs: 3500/ 4000/ 5000K nominal
- Selectable outputs range from 2600-4350 nominal lumens
- DLC qualified for potential utility rebates
- Long-life LEDs provide L70 of 144,000 hours (L90 of 44,000 hrs)
- Uniform illumination with no visible LED pixilation
- 120-277VAC, 50/60 Hz standard
- 0-10VDC Dimming standard
- Power Factor: > 0.9
- Total Harmonic Distribution (THD): <20%
- CRI > 80
- Flicker-free per IEEE1789-2015 (no adverse effects at 100% output)
- Back-lit construction: aluminum frame, steel back housing and PMMA LED lensing for optimal light distribution, efficiency and longevity
- Easy installation in new construction or retrofit
- Standard earthquake clips provide secure installation in grid ceilings
- Standard mounting options include recessed mounting in grid ceilings or suspended mounting using attached hanging brackets. For mounting in plaster or other hard ceiling, flange mount kits are available.
- Operating Temperature: -20°C to 40°C (-4°F to 104°F)
- cULus Listed for Damp Locations



**APPLICATION:** The **PNL1X4** is ideal for installations in healthcare, offices, banks, retail, hotels, restaurants and schools.

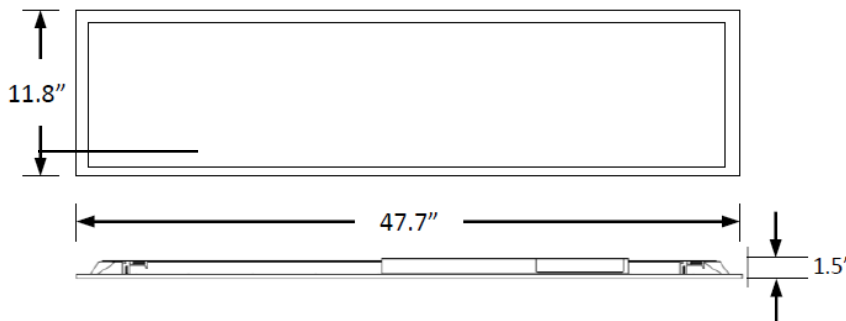
**WARRANTY:** 5 Years

### ORDERING INFORMATION

MODEL	DESCRIPTION	ACCESSORIES
PNL1X4-40L-LKFS	LED flat panel, 1X4, selectable CCT (3500/4000/5000K) & lumens (2600-4350), 120-277V, 0-10V dimming, DLC	CMK (cable mount kit) EM13 <sup>1</sup> (13.7W emergency driver) FMK-14 (flange mount kit) SMK-14 (surface mount kit)

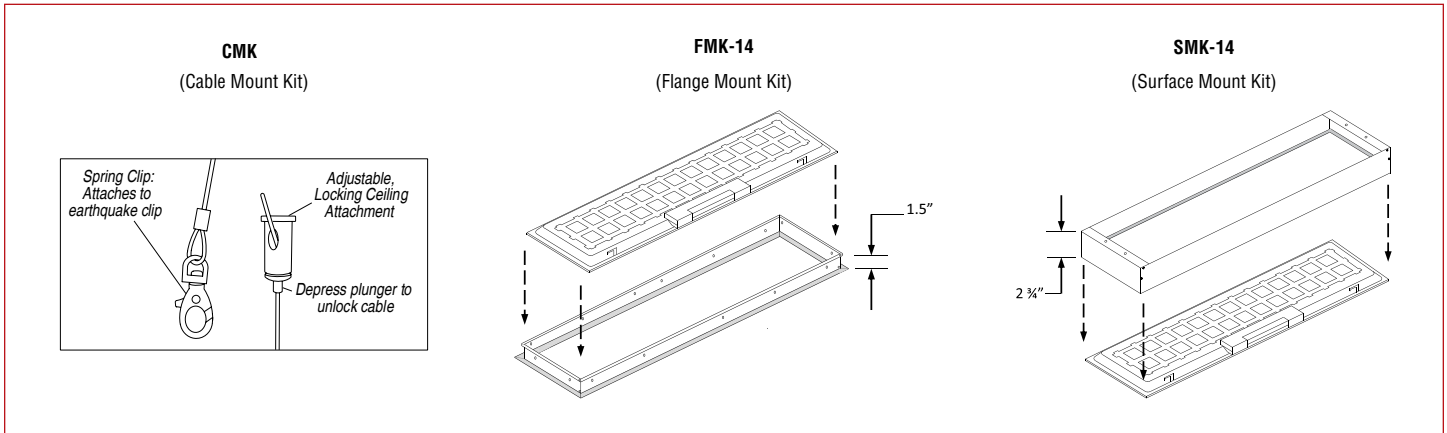
NOTE 1: Mount in field. Contact factory for factory installation.

### DIMENSIONS



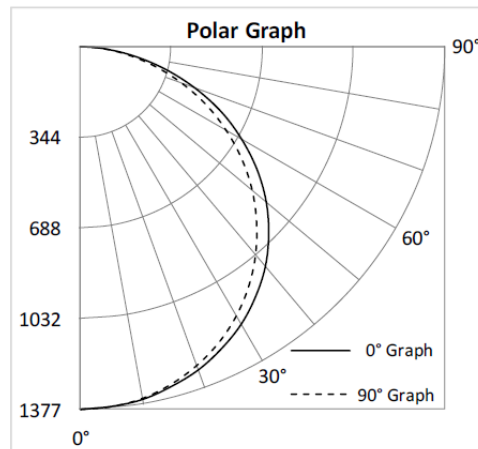
Weight: 6 lbs

**MOUNTING OPTIONS**



**PHOTOMETRICS**

Zonal Lumen Summary		
Zone	Lumens	%Fixt
0-20°	506	12.0%
0-30°	1,085	25.7%
0-40°	1,796	42.6%
20-50°	2,044	48.4%
40-70°	1,995	47.3%
0-60°	3,246	77.0%
0-80°	4,117	97.6%
0-90°	4,213	99.9%
90-180°	5	0.1%
0-180°	4,218	100.0%



**PNL1X4-40L-LKFS Luminaire Data**

Description	Back Lit Panel 1X4 40L 5K
Total Lumens	4,218
Input Wattage	34
Efficacy (lm/W)	123
Spacing Criterion (0-180°)	1.32
Spacing Criterion (90-270°)	1.28

**ELECTRICAL DATA**

Series	Measurements	Low Lumens			Mid Lumens			High Lumens		
		3500K	4000K	5000K	3500K	4000K	5000K	3500K	4000K	5000K
1x4	Lumens	2584	2729	2656	3425	3713	3531	4085	4342	4218
	Watts	20	19	20	28	27	28	35	33	34
	Efficacy	127	140	132	122	137	127	117	131	123
	Input Current (A)	120V = 0.17A	120V = 0.16A	120V = 0.17A	120V = 0.23A	120V = 0.23A	120V = 0.23A	120V = 0.29A	120V = 0.28A	120V = 0.28A
		240V = 0.08A	240V = 0.08A	240V = 0.08A	240V = 0.12A	240V = 0.11A	240V = 0.12A	240V = 0.15A	240V = 0.14A	240V = 0.14A
		277V = 0.07A	277V = 0.07A	277V = 0.07A	277V = 0.10A	277V = 0.10A	277V = 0.10A	277V = 0.13A	277V = 0.12A	277V = 0.12A

Type: \_\_\_\_\_

Project: \_\_\_\_\_

# PLANEX® (PNL2X2)



## FLAT PANEL LED - 2X2 SELECTABLE LUMENS & CCT

- Field selectable CCTs: 3500/ 4000/ 5000K nominal
- Selectable outputs range from 2700 to 4300 nominal lumens
- DLC PREMIUM efficacies optimize potential utility rebates
- Long-life LEDs provide L70 of 144,000 hours (L90 of 44,000 hours)
- Uniform illumination with no visible LED pixilation
- 120-277VAC, 50/60 Hz standard
- 0-10VDC Dimming standard
- Power factor > 90.
- Total harmonic distortion < 20%
- CRI > 80
- Flicker-free per IEEE1789-2015 (no adverse effects at 100% output)
- Back-lit construction: aluminum frame, steel back housing and PMMA LED lensing for optimal light distribution, efficiency and longevity
- Easy installation in new construction or retrofit
- Standard earthquake clips provide secure installation in grid ceilings
- Standard mounting options include recessed mounting in grid ceilings, or suspended mounting using attached hanging brackets. For mounting in plaster or other hard ceiling, flange mount kits are available.
- Operating temperatures: -20°C to 40°C (-4°F to 104°F)
- cULus Listed for Damp Locations



**APPLICATION:** The **PLANEX** is ideal for installations in healthcare, offices, banks, retail, hotels, restaurants and schools.

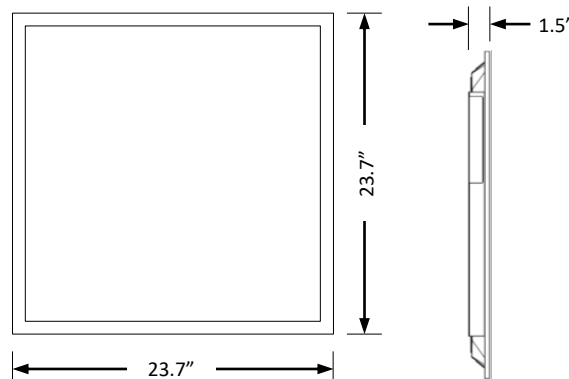
**WARRANTY:** 5 Years

## ORDERING INFORMATION

MODEL	DESCRIPTION	ACCESSORIES
PNL2X2-40L-LKFS-PRM	LED Flat Panel, 2x2, Selectable CCT (3500/4000/5000K) & lumens (2700-4300), 120-277V, 0-10V dimming, DLC PREMIUM	CMK (cable mount kit) EM13 <sup>1</sup> (13.7W emergency driver)
		FMK-22 (flange mount kit) SMK-22 (surface mount kit)

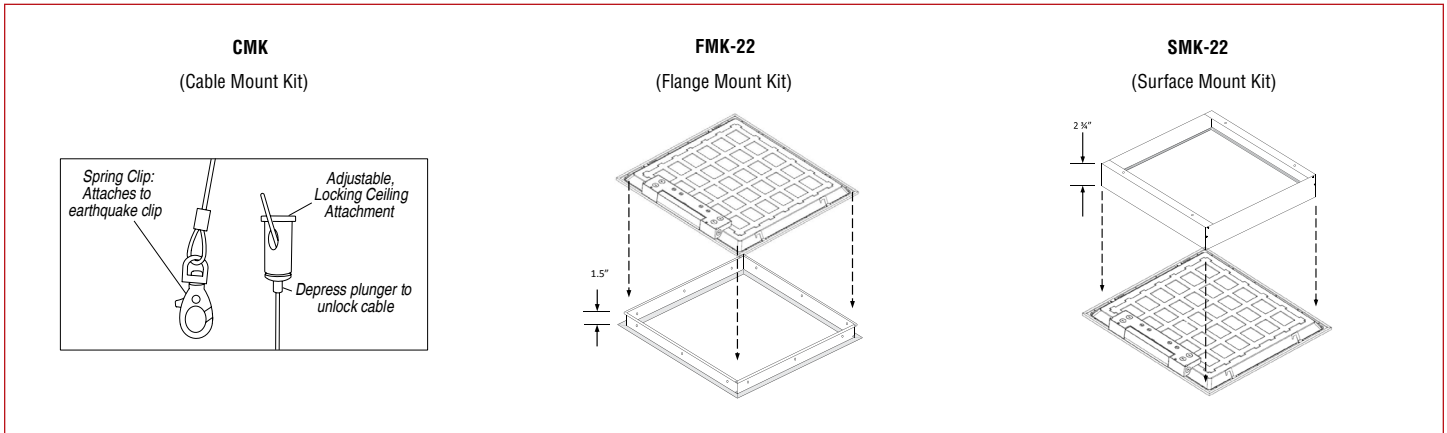
NOTE 1: Mount in field. Contact factory for factory installation.

## DIMENSIONS



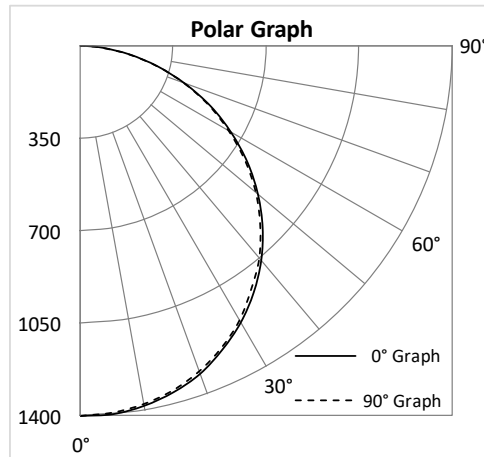
**Weight: 4 lbs.**

**MOUNTING ACCESSORIES**



**PHOTOMETRICS**

Zonal Lumen Summary		
Zone	Lumens	%Fixt
0-20°	514	12.3%
0-30°	1098	26.3%
0-40°	1810	43.3%
20-50°	2043	48.9%
40-70°	1962	46.9%
0-60°	3240	77.5%
0-80°	4087	97.8%
0-90°	4175	99.9%
90-180°	4	0.1%
0-180°	4179	100.0%



**PNL2X2-40L-LKFS-PRM**

**Luminaire Data**

Description	Premium Back-Lit Panel 2X2 40L 5K
Total Lumens	4179
Input Wattage	32
Efficacy (lm/W)	130
Spacing Criterion (0-180°)	1.3
Spacing Criterion (90-270°)	1.28

## ELECTRICAL DATA

Size	Metrics	Low Lumens			Mid Lumens			High Lumens		
		3500K	4000K	5000K	3500K	4000K	5000K	3500K	4000K	5000K
2X2	Lumens	2733	2802	2810	3632	3810	3743	4072	4290	4179
	Watts	20	19	20	28	27	28	32	32	32
	Efficacy	136	145	141	131	142	136	126	135	130
	Input Current (A)	120V = 0.17A	120V = 0.16A	120V = 0.17A	120V = 0.23A	120V = 0.23A	120V = 0.23A	120V = 0.27A	120V = 0.27A	120V = 0.27A
		240V = 0.08A	240V = 0.08A	240V = 0.08A	240V = 0.12A	240V = 0.11A	240V = 0.12A	240V = 0.13A	240V = 0.13A	240V = 0.13A
		277V = 0.07A	277V = 0.07A	277V = 0.07A	277V = 0.10A	277V = 0.10A	277V = 0.10A	277V = 0.12A	277V = 0.12A	277V = 0.12A

Type: \_\_\_\_\_

Project: \_\_\_\_\_

# PLANEX® (PNL2X4)



## FLAT PANEL LED - 2x4 SELECTABLE LUMENS & CCT

- Field selectable CCTs: 3500/ 4000/ 5000K nominal
- Selectable outputs range from 3300-5200 nominal lumens
- DLC PREMIUM efficacies optimize potential utility rebates
- Long-life LEDs provide L70 of 144,000 hours (L90 of 44,000 hrs)
- Uniform illumination with no visible LED pixilation
- 120-277VAC, 50/60 Hz standard
- 0-10VDC Dimming standard
- Power Factor: > 0.9
- Total Harmonic Distribution (THD): <20%
- CRI > 80
- Flicker-free per IEEE1789-2015 (no adverse effects at 100% output)
- Back-lit construction: aluminum frame, steel back housing and PMMA LED lensing for optimal light distribution, efficiency and longevity
- Easy installation in new construction or retrofit
- Standard earthquake clips provide secure installation in grid ceilings
- Standard mounting options include recessed mounting in grid ceilings or suspended mounting using attached hanging brackets. For mounting in plaster or other hard ceiling, flange mount kits are available.
- Operating Temperature: -20°C to 40°C (-4°F to 104°F)
- cULus Listed for Damp Locations



**APPLICATION:** The PLANEX® is ideal for installations in healthcare, offices, banks, retail, hotels, restaurants and schools.

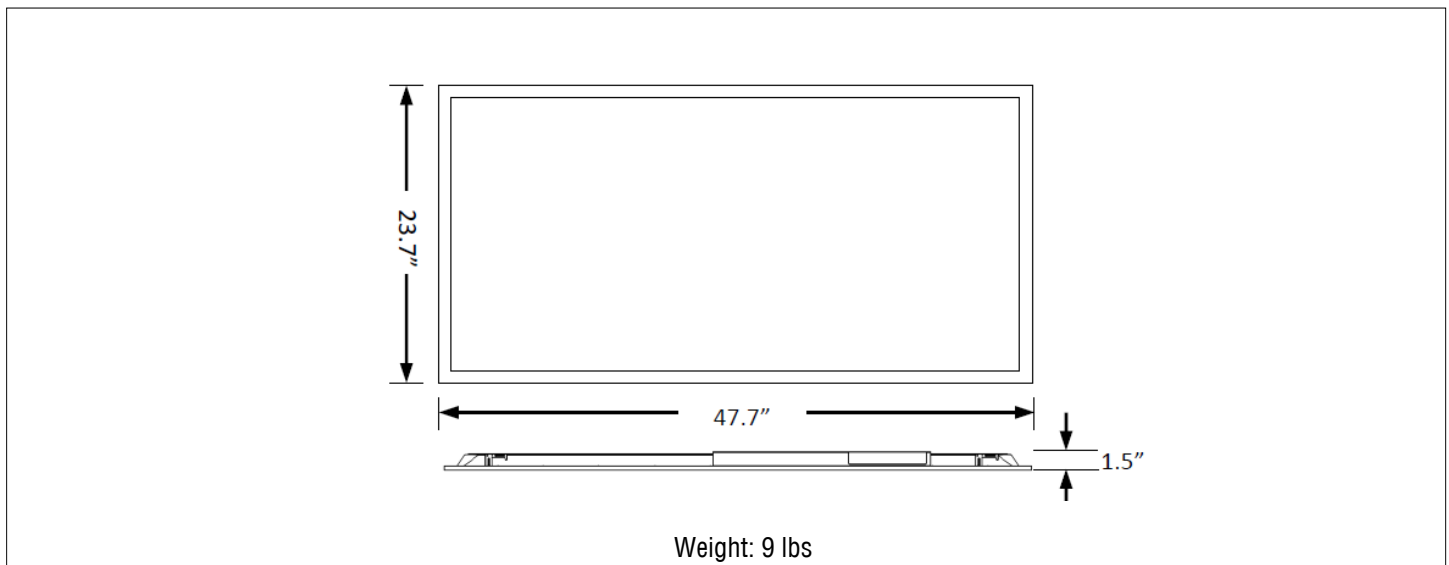
**WARRANTY:** 5 Years

### ORDERING INFORMATION

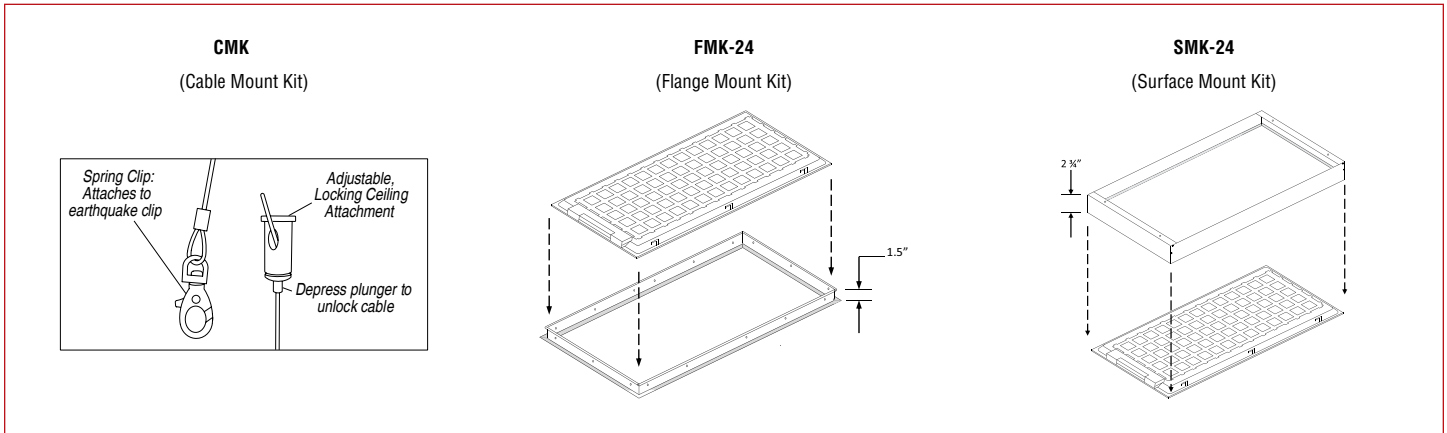
MODEL	DESCRIPTION	ACCESSORIES
PNL2X4-50L-LKFS-PRM	LED Flat Panel, 2x4, Selectable CCT (3500/4000/5000K) & lumens (3300-5200), 120-277V, 0-10V dimming, DLC PREMIUM	CMK (cable mount kit) EM13 <sup>1</sup> (13.7W emergency driver) FMK-24 (flange mount kit) SMK-24 (surface mount kit)

NOTE 1: Mount in field. Contact factory for factory installation.

### DIMENSIONS

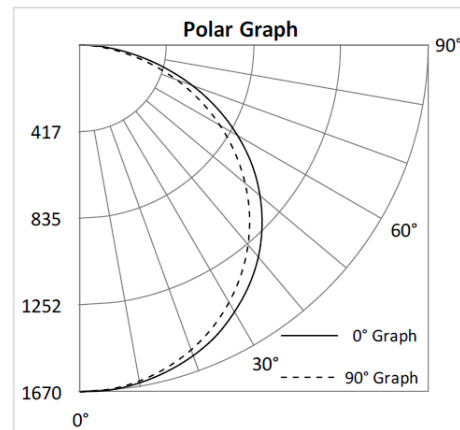


**MOUNTING OPTIONS**



**PHOTOMETRICS**

Zonal Lumen Summary		
Zone	Lumens	%Fixt
0-20°	614	11.9%
0-30°	1,316	25.5%
0-40°	2,181	42.3%
20-50°	2,491	48.3%
40-70°	2,457	47.6%
0-60°	3,964	76.9%
0-80°	5,039	97.7%
0-90°	5,152	99.9%
90-180°	5	0.1%
0-180°	5,157	100.0%



**PNL2X4-50L-LKFS-PRM Luminaire Data**

Description	Premium Back Lit Panel 2X4 50L 5K
Total Lumens	5,157
Input Wattage	38
Efficacy (lm/W)	137
Spacing Criterion (0-180°)	1.34
Spacing Criterion (90-270°)	1.28



## ELECTRICAL DATA

Series	Measurements	Low Lumens			Mid Lumens			High Lumens		
		3500K	4000K	5000K	3500K	4000K	5000K	3500K	4000K	5000K
2X4	Lumens	3284	3323	3389	4448	4576	4538	5015	5247	5157
	Watts	24	23	24	33	32	33	38	37	38
	Efficacy	138	148	144	134	144	138	131	141	137
	Input Current (A)	120V = 0.20A	120V = 0.19A	120V = 0.20A	120V = 0.28A	120V = 0.27A	120V = 0.28A	120V = 0.32A	120V = 0.31A	120V = 0.32A
240V = 0.10A		240V = 0.10A	240V = 0.10A	240V = 0.14A	240V = 0.13A	240V = 0.14A	240V = 0.16A	240V = 0.15A	240V = 0.16A	
277V = 0.09A		277V = 0.08A	277V = 0.09A	277V = 0.12A	277V = 0.12A	277V = 0.12A	277V = 0.14A	277V = 0.13A	277V = 0.14A	